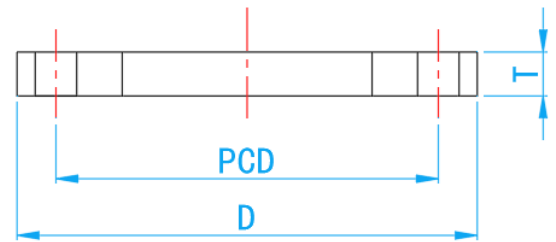
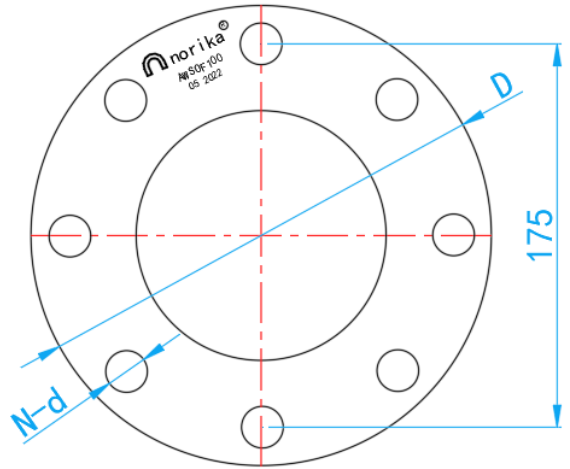
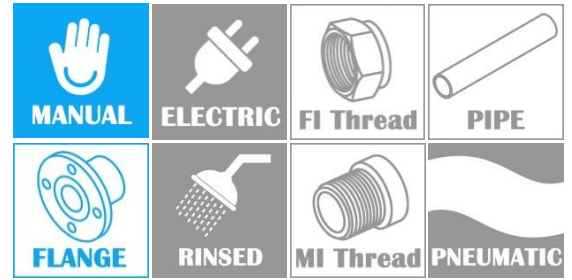


# AW SLIP ON FLANGE

COMPLY WITH JIS 10K



CROSS SECTIONAL VIEW

## COMPONENT PARTS

PARTS	MATERIAL
Flange	UPVC

## DIMENSIONS

SKU	SIZE (mm)	PCD (mm)	n-d (mm)	D (mm)	T (mm)	WEIGHT (kg)
AWSOF050	50	120	4-19	155	20	0.450
AWSOF065	65	140	4-19	175	20	0.580
AWSOF080	80	150	8-19	185	20	0.545
AWSOF100	100	175	8-19	210	20	0.660
AWSOF150	150	240	8-23	280	20	1.120
AWSOF200	200	290	12-23	330	20	1.350
AWSOF250	250	355	12-25	400	20	1.915